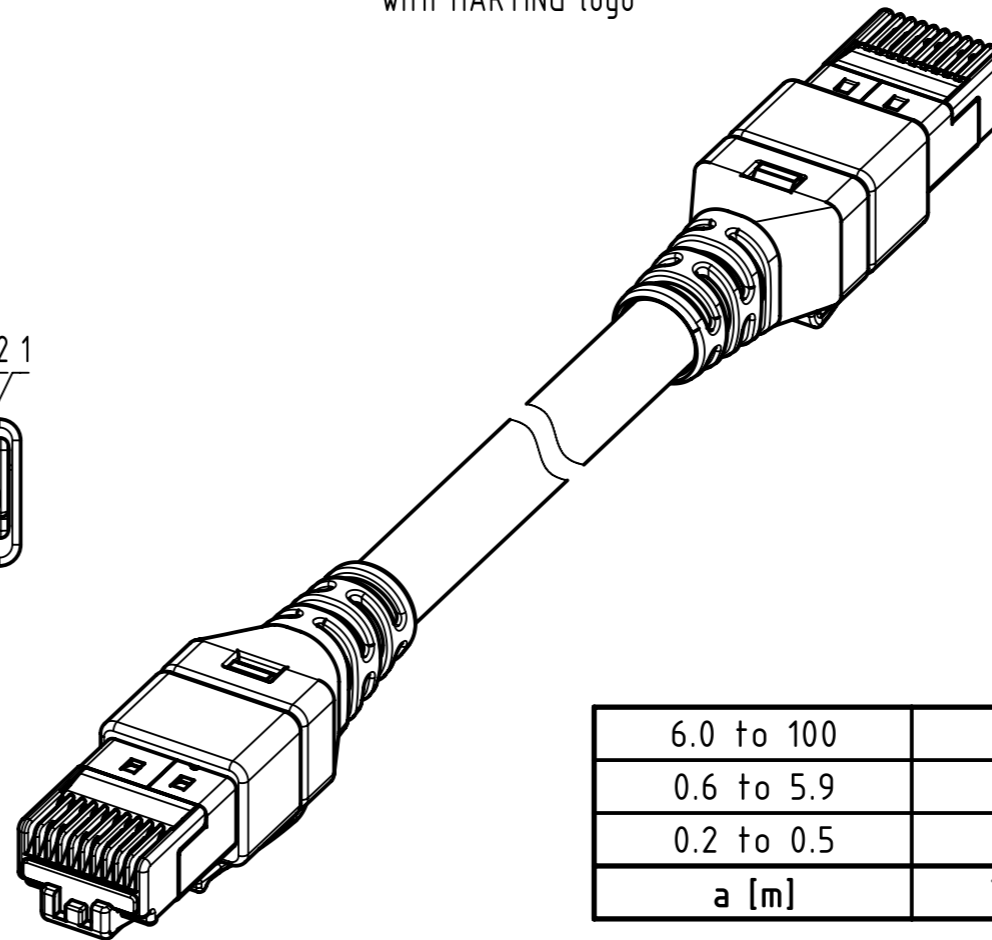
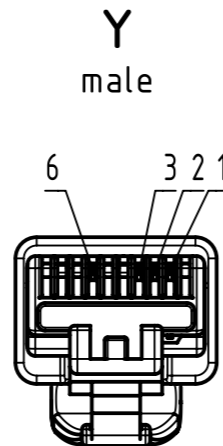
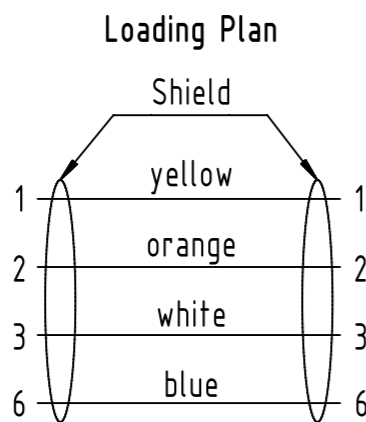
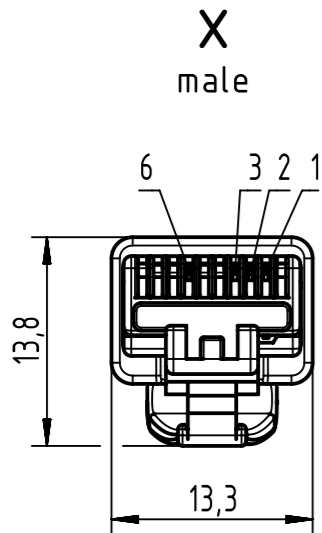
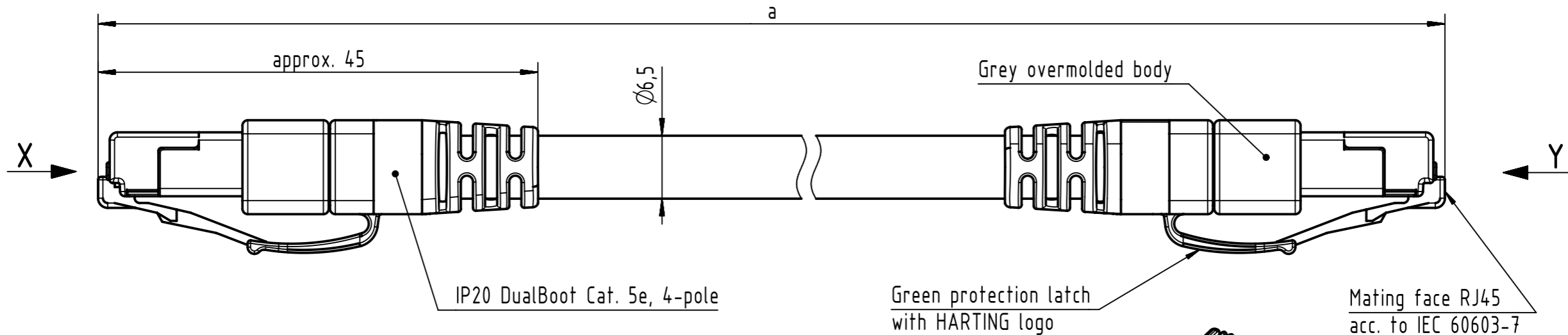


Connector Location A

Connector Location B



6.0 to 100	±1%
0.6 to 5.9	+0.04
0.2 to 0.5	+0.02
<b>a [m]</b>	<b>Tolerance</b>

length in "1m" step	100	XXX=000
	99	XXX=990
	.	.
	12	XXX=120
length in "0.1m" step	11	XXX=110
	10	XXX=100
	9.9	XXX=099
	9.8	XXX=098
	.	.
	0.5	XXX=005
	0.4	XXX=004
	0.3	XXX=003
	0.2	XXX=002
<b>Step</b>	<b>a [m]</b>	<b>XXX</b>

**NOTE:**  
 For lengths < 1.0m:  
 - relative positioning of the connectors to each other shall be as presented in the drawing, however with an admissible angular deviation around cable axis of ± 30°  
 For lengths ≥ 1.0m:  
 -relative positioning of the connectors to each other not obligatory

- Temperature range: -25°C ... +60°C

RJI Ethernet Trailing Cable, 4xAWG 22/7, PUR, Cat. 5+, green	09486868004XXX
<b>Type of cable</b>	<b>Part no.</b>

	All rights reserved	Created by STOCHECIC Stocheici	Inspected by COSTEA Costea	Standardisation MUNTEANV Muntean	Date 2019-07-30	State Final Release	
	Department HCS - RO	Title RJI PROFINET cable PUR Cat.5 4p				Doc-Key / ECM-Nr. 100544207/UGD/045/F 500000155865	
HARTING Customised Solutions D-32339 Espelkamp		Type TB	Number 09486868004XXX			Rev. F	Page 1/1